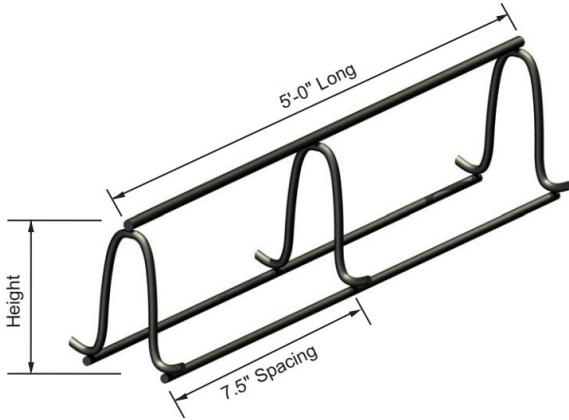


CHCU350-P



OCM Continuous High Chair Upper metal bar supports are used in commercial concrete projects to support reinforcing steel in elevated concrete decks, footings, slab on metal deck, bridge decks and other applications.

Part Number	CHCU350-P
Height (in)	3-1/2"
Weight Per Lf (lbs)	0.66
Bundle Quantity (lf)	50